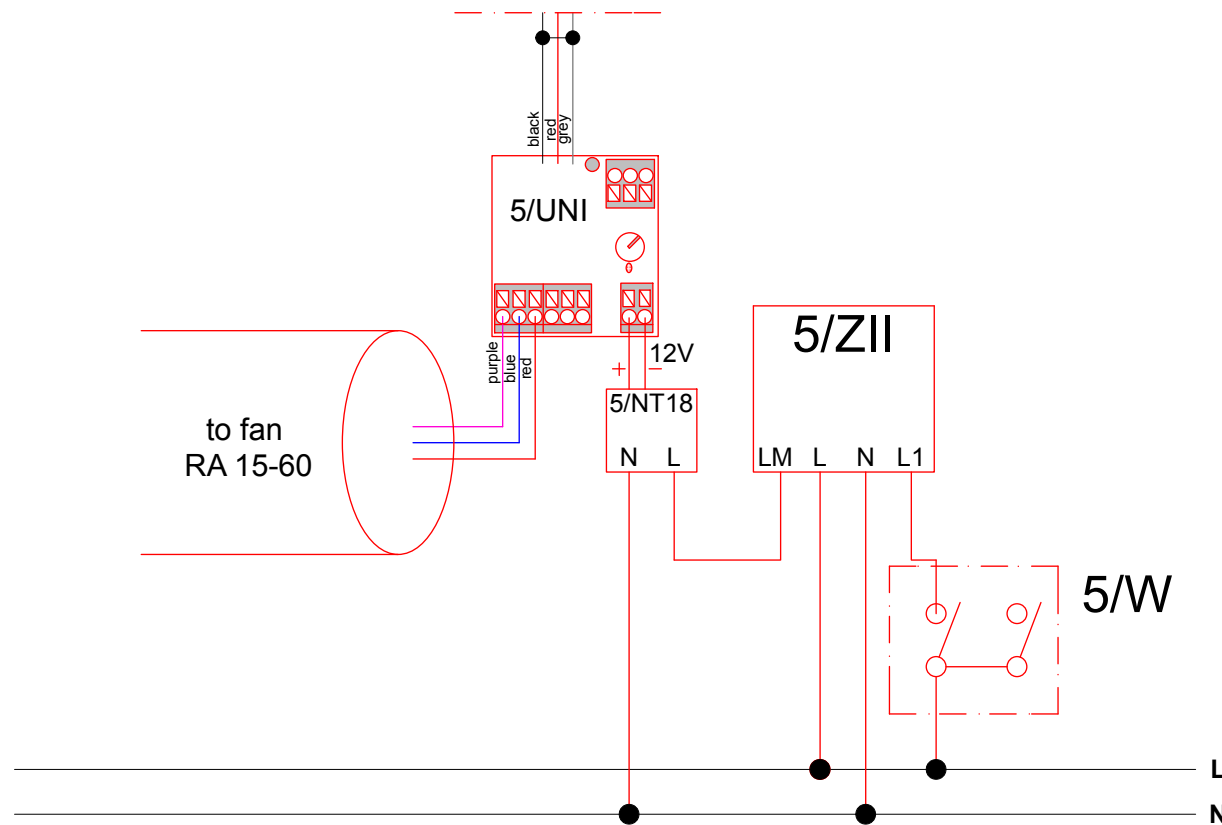


Special wiring diagram for the exhaust fan RA 15-60 + 5/ZII + 5/NT18 (5/NT60)



For the dimensioning 0/30 m³/h the grey and black has to be connected.

Important: basic setting of the coding switch 5/UNI always on 1