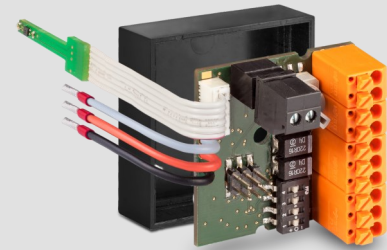


### Description and functions

The universal control is a multifunctional 12-volt control with integrated humidity and temperature sensor and a delay time and interval relay, which can be operated using a simple series switch. Various programs can be selected for each fan type. For an overview of the programs and the corresponding modifications please see the installation manual. The connected fan type and the desired function can be set via the coding switch. The 5/UNI-FT is used either in conjunction with the series switch 5/W2U or via a 0-10V input at the TAC Comfort Control.

Via the coding switch various programs can be preset for a fan type in order to determine, for example, whether a fan can be switched off or is intended to operate with a basic load. The control is always operated with a 12V DC power supply unit which enables the supply of a varying number of fans.

Furthermore, the 5/UNI-FT has a plug contact for the integration of LUNOS wireless sensors or wireless switches.



Universal control 5/UNI-FT

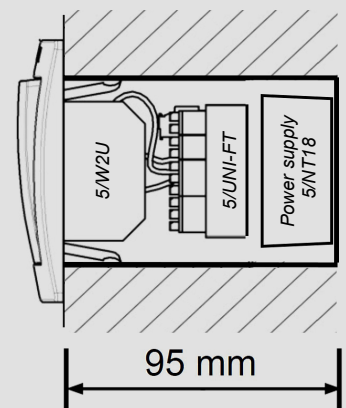
### Installation

The 5/UNI-FT is installed in a deep flush-mounted box. If an 18W power supply unit is used for control, both components can be installed in a 90 mm deep flush-mounted switch box.

Alternatively, a power supply unit with 60W or 100W (min. 2 x 5/UNI-FT required) can be used for top-hat rail mounting.

The electrical connection of the devices via the control 5/UNI-FT is performed in a star-shaped arrangement to each fan.

For further details regarding the installation please see the installation manual on our website.



Installation in a deep flush-mounted box

### Accessories

Power supply	18 Watt	5/NT18
	60 Watt	5/NT60
	100 Watt	5/NT100
Switch	two rocker	5/W2U
	gesture control	5/GS
Push-button	one rocker	5/WT
	two rocker	5/W2T

Push-buttons are recommended only in combination with the Touch Air Comfort (TAC).

Wireless module	5/FM-UNI
External wireless sensor	SFT-EO
Top-hat rail clip	

### Technical data

Operating voltage	12 V DC
Functional voltage range	0 - 10V
Operational switching current	max. 5A
Connected load	max. 60W
Dimensions in mm (W x H x D)	25.6 x 42 x 42

Protection type	IP22, CE
Notes on the power supply unit	
5/NT18	max. 6 e <sup>2</sup>
5/NT60	max. 10 e <sup>2</sup>
5/NT100	max. 20 e <sup>2</sup> with min. 2 x 5/UNI-FT

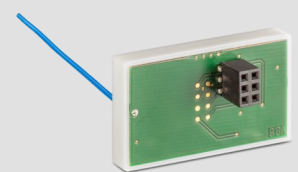
### Further details

Brand	LUNOS
Type	5/UNI-FT
Order No.	040 089

Manufacturer's warranty: 2 years

### Note

Products and illustrations may vary slightly. Due to continuous product development and/or several suppliers e.g. for raw materials, colours, among other things, may vary slightly or be shown differently in brochures.



Wireless module 5/FM-UNI



External humidity and temperature sensor SFT-EO

E262 08.17 EN

Editing status: August 2017