

## Flush-Mounted Housing 3/UP-BA With Fire Protection Device

### Description

Housing for flush mounting with fire-protection coating, suitable for wall installation with rear exhaust vent (DN 80) and leakage-airtight backdraft shutter.

The exhaust vent is top left, however, the housing can be turned at a right angle. The adjustment of the backdraft shutter to the appropriate installation position is done by simply screwing the vent off and on.

All ventilator inserts of the Silvento series can be inserted into the flush-mounted housing .

Incl. mounting bracket, sound absorber and plaster protection cap for dirt protection

### Installation

The installation of the housing is made by flush finish on the wall and ventilation using the Alu-Flex pipe DN 80 to the main line.

Please observe the installation manual and have the electrical connection of the fan performed by a qualified professional.

### Accessories

Alu-Flex pipe DN 80

### Technical data

Power supply 230 V AC 50 Hz  
Dimensions (W x H x D) in mm  
270 x 270 x 102.5  
Available static pressure  
212 Pa

The ventilation unit is provided with protective insulation; a protective conductor terminal is not required.

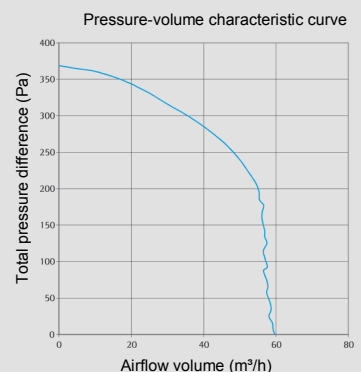
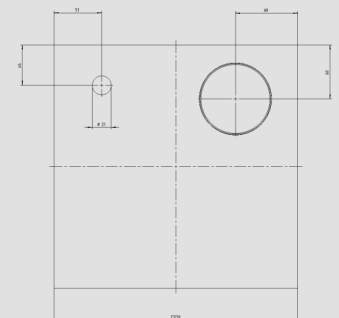
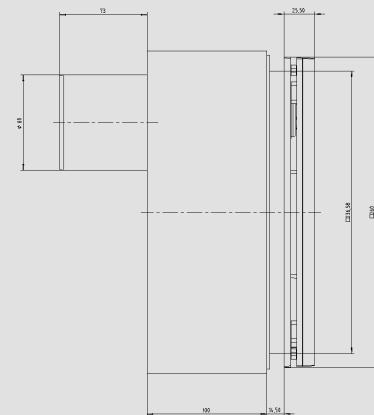
### Further details

Product data  
Brand LUNOS  
Type 3/UP-BA  
Order No. 039 179

Manufacturer's warranty: 2 years

### Note

Products and illustrations may vary slightly. Due to continuous product development and/or several suppliers e.g. for raw materials, colours, among other things, may vary slightly or be shown differently in brochures.



E270 04.16 EN

Editing status: April 2016